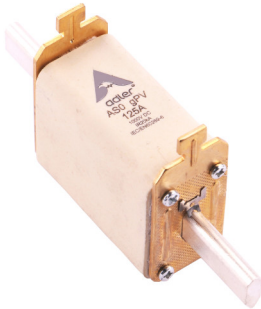


AS0 gPV NH0 Size



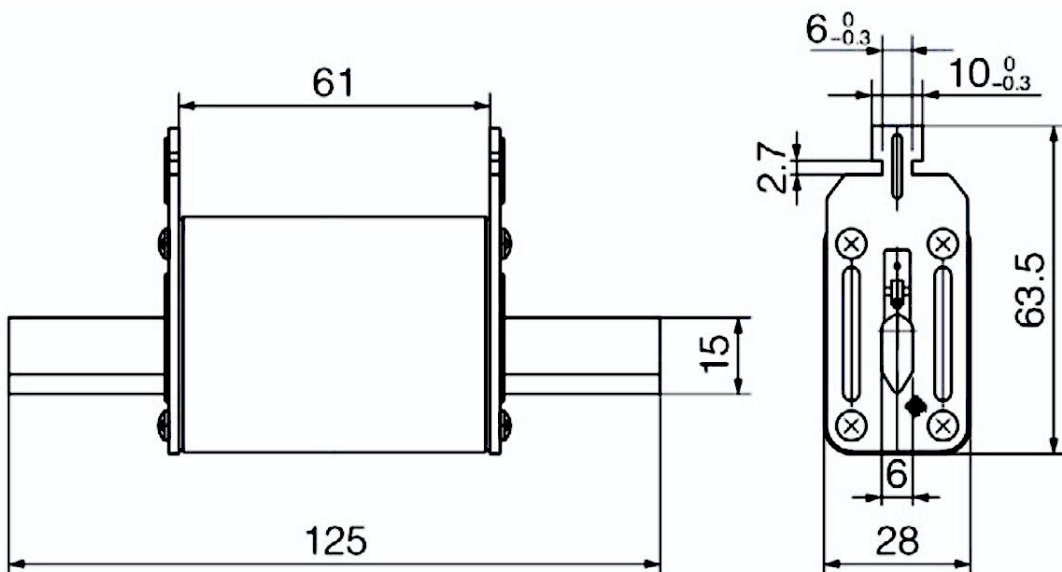
FEATURES:

- Rated Voltage: 1000V DC, class gPV
- Rated Current: 40~160A
- Rated Breaking Capacity: 20 kA
- Max. Dissipation: 25W
- Standard: IEC/EN60269-6

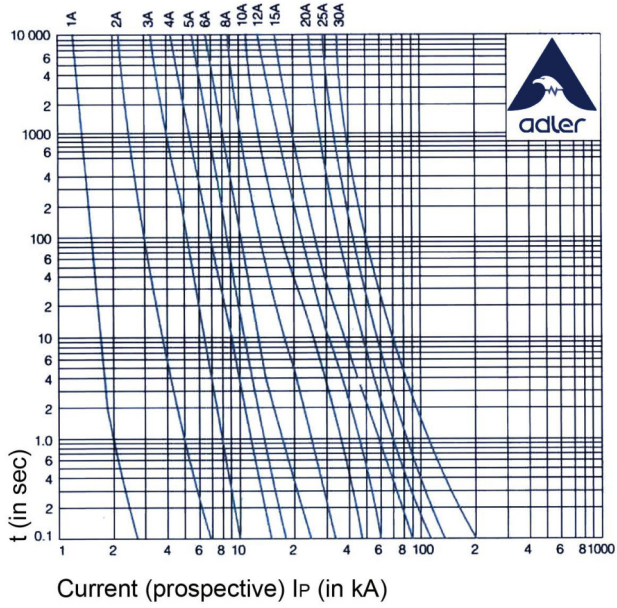
ELECTRICAL SPECIFICATIONS

| Part Number | Rated Current | I ² t (A ² s) | | Max. Dissipation (W) | | Certifications |
|-------------|---------------|-------------------------------------|-----------------------|----------------------|---------|----------------|
| | | Pre-Arc | Total @ Rated Voltage | 70% In | 100% In | |
| AS02400700 | 40A | 105 | 760 | 16 | 25 | • |
| AS02500700 | 50A | 215 | 1550 | 16 | 25 | • |
| AS02630700 | 63A | 380 | 2750 | 16 | 25 | • |
| AS02800700 | 80A | 815 | 5900 | 16 | 25 | • |
| AS03100700 | 100A | 1550 | 11500 | 16 | 25 | • |
| AS03125700 | 125A | 3000 | 22000 | 16 | 25 | • |
| AS03160700 | 160A | 6250 | 45000 | 16 | 25 | • |

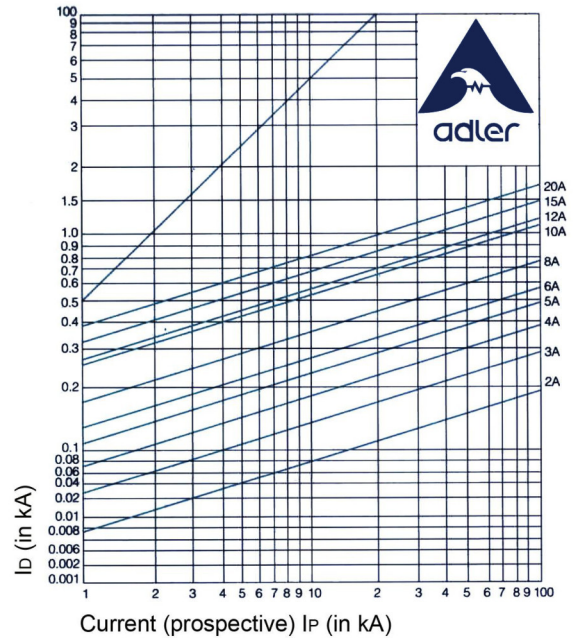
DIMENSIONS (mm)



TIME/ CURRENT (I-T) CHART (reference)



CURRENT LIMITING-CURRENT (reference)



MATCHING FUSE HOLDERS/ ACCESSORIES:

- Holders NH0 Series.

